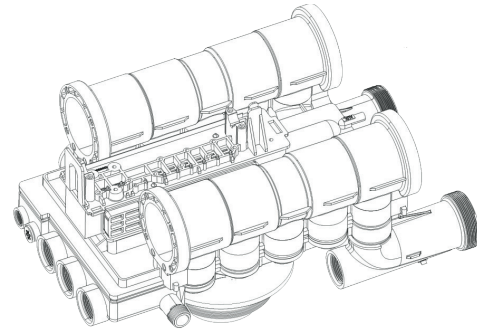
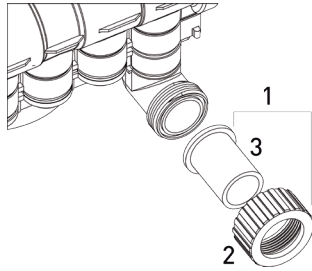


# MAGNUM IT TWIN 764 SPARE PARTS

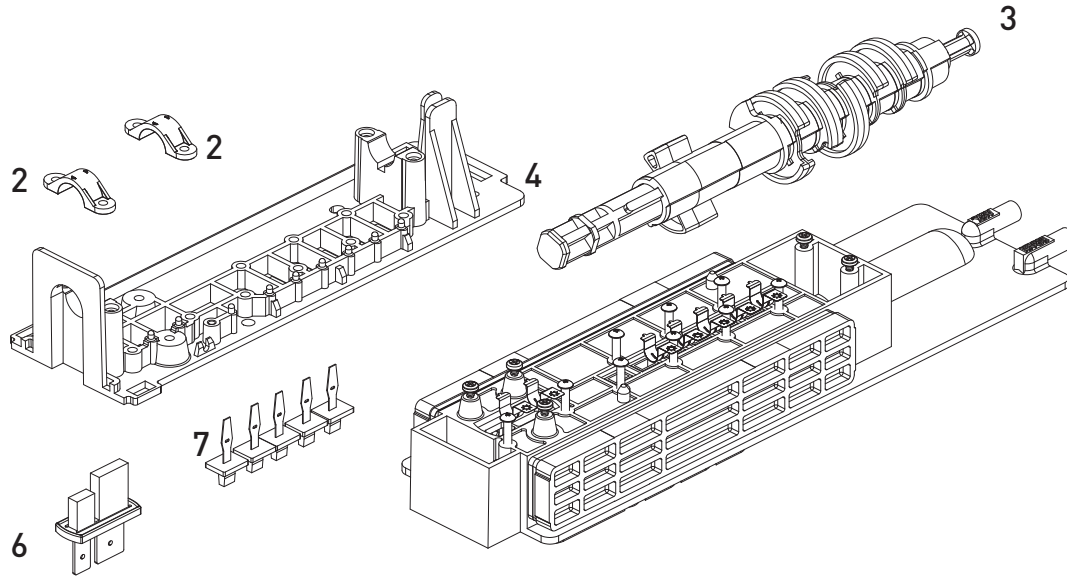


## Magnum connections

Item	Old part number	Reference	Description	Packing qty
1		1001655	Magnum Cv 1 1/2" - 1 1/2" PVC adapter kit	1
	1001655-M	1001656	Magnum Cv 1 1/2" - 50 mm PVC adapter kit	1
	1040783	3023674	Magnum it / Cv plus 2" - 2" BSP adapter kit	1
		1040784	Magnum it / Cv plus 2" - 2" PVC adapter kit	1
	1040784-63	1040785	Magnum it / Cv plus 2" - 63 mm PVC adapter kit	1
2		1000356	1 1/2" adapter nut for Magnum Cv	1
3	1000361	3014556	1 1/2" stainless steel BSP adapter	1
3		1000358	1 1/2" PVC adapter	1
3		1000359	50 mm metric CPVC adapter	1
*	3029966	1010160	1 1/2" adapter O-ring	1
*	3029964	1010165	2" adapter O-ring	1
*	3029970	1010162	O-ring tank adaptor	1
	3029966	1010160	Riser tube O-ring	1
		CH20805	Magnum tank adapter, noryl 6" flanged kit	1
		3024790	4" SS adapter 293/298	1
		3024785	Clamp, SS, 4" adapter 293/298	1
		3026486	O-ring for 4" adapter 293/298	1
		3029232	Kit 4" SS adapter w/ clamp & o-ring	1
	1040921	1040921S	Side Mount Adapter BSP 293/298 w Plug	2

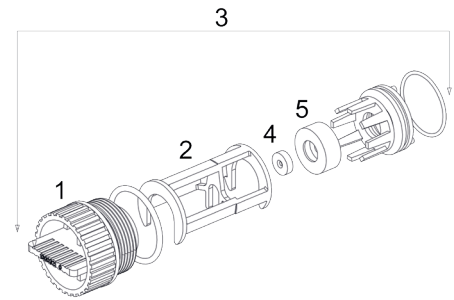
# MAGNUM IT TWIN 764

SPARE PARTS



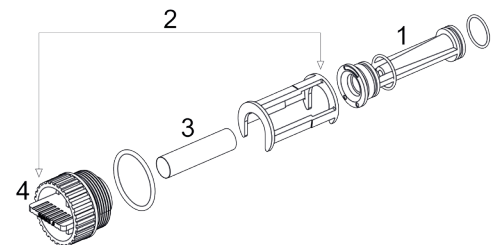
## Magnum Logix camshaft & pilot

Item	Old part number	Reference	Description	Packing qty
3		1267726	Camshaft Logix Magnum single tank	1
		1001751	Camshaft Logix Magnum Twin tank	1
*		1000341	Shaft, cam, Magnum	1
2		1000589	Pillow block cap	2
4		1000339	Top plate	1
*	3030505	3018941	Pillow block & top plate screw (long)	19
6		1000391	Brine flapper valve	1
7		1000328	Pilot flapper valve	6
*		1001580	Valve flapper spring	9
*		1040692	Kit flapper includes item 6, 7 and springs	1
*		1000343	Cam cover (not shown)	1
*		1000553	Cam pilot auxiliary Twin (shuts off at end of refill)	1
*		1041064S	Auxiliary hydraulic signal cam kit	1



### Magnum refill control assy

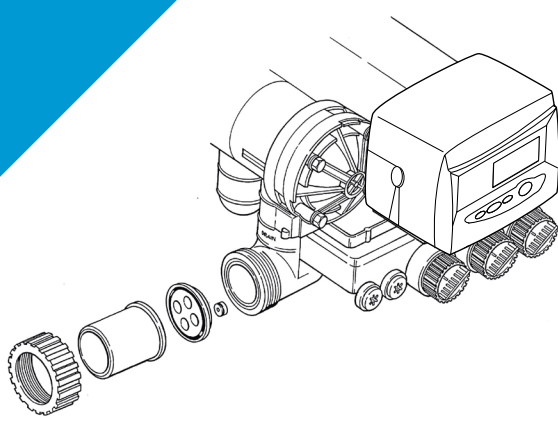
Item	Old part number	Reference	Description	Packing qty
1		1040688	Flow control plug	1
3		1040687	Refill control assy	1
4		1000421	Refill flow control for 14" tank - 0.7 gpm	1
		1000422	Refill flow control for 16" tank - 0.8 gpm	1
		1000423	Refill flow control for 18" tank - 1.0 gpm	1
		1000424	Refill flow control for 21" tank - 1.4 gpm	1
		1000425	Refill flow control for 24" tank - 2.0 gpm	1
		1000426	Refill flow control for 30" tank - 3.0 gpm	1
		1000427	Refill flow control for 36" tank - 5.0 gpm	1
5		1000479	Refill flow control cage	1



### Magnum injector assy

Item	Old part number	Reference	Description	Packing qty
1			<b>Injectors with O-rings:</b>	
		1040670	Injector for 14" tank - 0.5 gpm	1
		1040671	Injector for 16" (40.6 cm) tank - 0.5 gpm	1
		1040672	Injector for 18" (45.7 cm) tank - 0.6 gpm	1
		1040673	Injector for 21" (53.3 cm) tank - 0.9 gpm	1
		1040674	Injector for 24" (61.0 cm) tank - 1.4 gpm	1
		1040675	Injector for 30" (76.2 cm) tank - 2.0 gpm	1
		1040676	Injector for 36" (91.4 cm) tank - 3.3 gpm	1
		1040669	Blank injector	1
2		1040677	Injector assy (less injector)	1
3		1000322	Injector screen	1
4		1040688	Plug for injector, refill & pressure regulator ports (including O-rings)	1

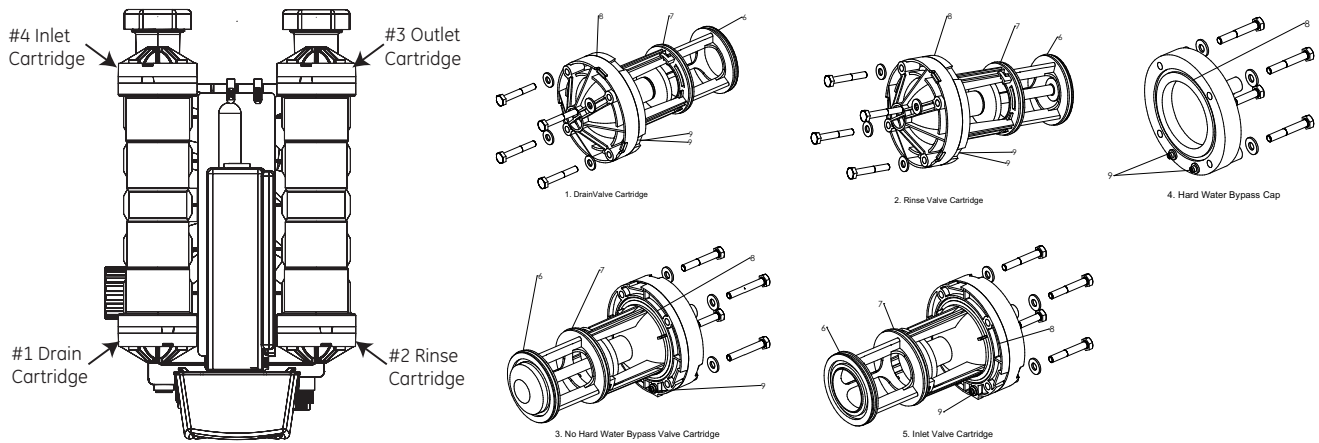
# MAGNUM IT TWIN 764 SPARE PARTS



## Magnum drain line flow controls assy

Item	Old part number	Reference	Description	Packing qty
<b>Assembled DLFCs w/ O-ring and fl. ctrls inserts:</b>				
		1040720	DLFC 5 gpm (for 14" softener) BLU-BLK-BLK-BLK	1
		1040721	DLFC 6 gpm (for 16" softener) RED-BLK-BLK-BLK	1
		1040722	DLFC 7 gpm BRN-BLK-BLK-BLK	1
		1040723	DLFC 8 gpm (for 18" softener) GRN-BLK-BLK-BLK	1
		1040724	DLFC 9 gpm WHI-BLK-BLK-BLK	1
		1040725	DLFC 10 gpm (for 21" softener) BLU-BLU-BLK-BLK	1
		1040726	DLFC 11 gpm RED-BLU-BLK-BLK	1
		1040727	DLFC 12 gpm RED-RED-BLK-BLK	1
		1040728	DLFC 13 gpm BRN-RED-BLK-BLK	1
		1040729	DLFC 14 gpm (for 24" softener) BRN-BRN-BLK-BLK	1
		1040740	DLFC 15 gpm BLU-BLU-BLU-BLK	1
		1040741	DLFC 16 gpm GRN-GRN-BLK-BLK	1
		1040742	DLFC 17 gpm WHI-GRN-BLK-BLK	1
		1040743	DLFC 18 gpm WHI-WHI-BLK-BLK	1
		1040744	DLFC 19 gpm WHI-ORA-BLK-BLK	1
		1040745	DLFC 20 gpm (for 30" softener) BLU-BLU-BLU-BLU	1
		1040746	DLFC 21 gpm BRN-BRN-BRN-BLK	1
		1040747	DLFC 22 gpm GRN-GRN-RED-BLK	1
		1040748	DLFC 23 gpm GRN-GRN-BRN-BLK	1
		1040749	DLFC 24 gpm RED-RED-RED-RED	1
		1040730	DLFC 25 gpm GRN-GRN-WHI-BLK	1
		1040731	DLFC 26 gpm WHI-WHI-GRN-BLK	1
		1040732	DLFC 27 gpm WHI-WHI-GRN-BLK	1
		1040733	DLFC 28 gpm BRN-BRN-BRN-BRN	1
		1040734	DLFC 29 gpm BRN-BRN-BRN-GRN	1
		1040735	DLFC 30 gpm (for 36" softener) ORA-ORA-ORAN-BLK	1
		1040736	DLFC 31 gpm GRN-GRN-GRN-BRN	1
		1040737	DLFC 32 gpm GRN-GRN-GRN-GRN	1
		1040738	DLFC 33 gpm GRN-GRN-GRN-WHI	1
		1040739	DLFC 34 gpm GRN-GRN-GRN-ORA	1
		1040750	DLFC 35 gpm WHI-GRN-GRN-GRN	1
		1040751	DLFC 36 gpm WHI-WHI-WHI-WHI	1
		1040752	DLFC 37 gpm WHI-WHI-WHI-ORA	1
		1040753	DLFC 38 gpm ORA-ORA-ORA-GRN	1
		1040754	DLFC 39 gpm ORA-ORA-ORA-WHI	1
		1040755	DLFC 40 gpm ORA-ORA-ORA-ORA	1
*		1040762	12x DLFC Disc w/out Fl. Ctrls inserts	1

# MAGNUM IT TWIN 764 SPARE PARTS

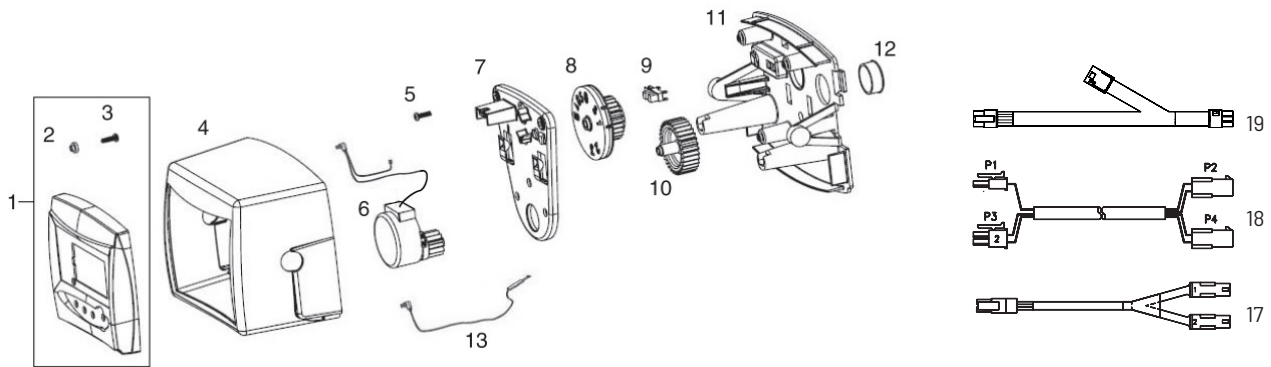


## Magnum cartridges

Item	Old part number	Reference	Description	Packing qty
1		1000366	Drain valve/no hard water bypass valve cartridge	1
2		1000365	Rinse valve cartridge	1
3		1000366	Drain valve/no hard water bypass valve cartridge	1
4		1000336	Hard water bypass cap	1
5		1000317	Inlet valve cartridge	1
6	3029971	1010157	O-ring	1
7	3029972	1010158	O-ring	1
8	3030497	1231646	O-ring	1
9	3030531	1010116	O-ring	2
*		1040690	O-ring kit (includes 1x #8, 2x #9)	1
*		1040689	O-ring kit (includes 1x#6, 1x#7, 1x#8, 2x#9)	1

Note: Items 1 & 3 are identical

# MAGNUM IT TWIN 764 SPARE PARTS

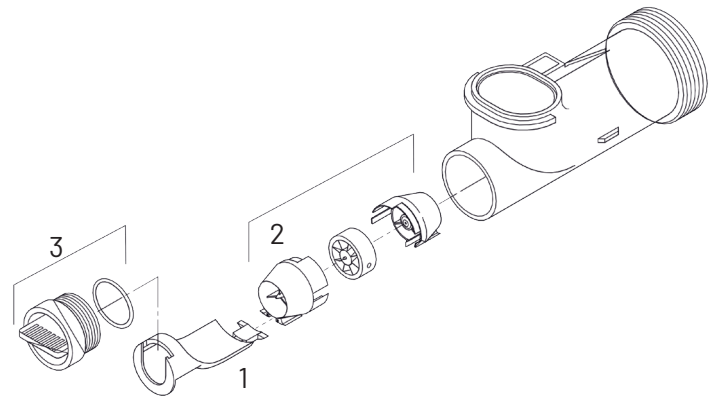


## Magnum Logix controls

Item	Old part number	Reference	Description	Packing qty
1+2+3	764	3030409	Logix 764 controller - picto	1
16		1254886	Secondary faceplate	1
2	3030921	1266224	Bushing, Logix mount	2
3	3030001	1005981	Screw	2
4		1262674	Cover, Logix Magnum	1
5	3030001	1005981	Screw	2
6		1238861	Motor + cable 700 series controller, 12V 50/60 Hz	1
7		1262673	Gear plate, Magnum Logix control	1
8		1262581	Drive gear, Magnum Logix control	1
9		1235373	Module, sensor, photo interrupter	1
10		1262672	Idle gear, Magnum Logix control	1
11		1262580	Back plate, Logix Magnum control	1
13		1266722	Turbine cable, Logix, 32"(Magnum it Logix)	1
		1266723	Turbine cable, Logix, 10ft (Magnum Cv Logix)	1
		1266724	Turbine cable, Logix, 25ft	1
14		1233809	Logix Magnum control mech assy (items 5,6,7,8,9,10,12)	1
*		1000813	Wall mount transformer 220V/12 v UK	1
*		1000814	Wall mount transformer 220V/12V EUR	1
15		1263718	Remote mount kit, with 10 ft cable (control not included)	1
		1256257	Remote mount kit, no cable (control not included)	1
17		3016715	Y sensor cable connector Twin	2
18		3016775	Interconnecting cable Twin	2
19		3020228	Remote start/lockout cable L versions	1

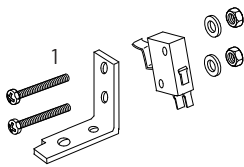
# MAGNUM IT TWIN 764

SPARE PARTS

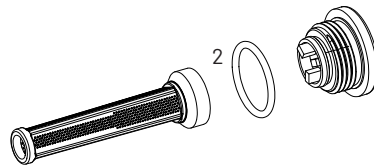


## Magnum IT turbine

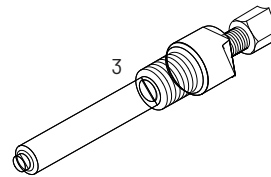
Item	Old part number	Reference	Description	Packing qty
1		1000074	Insert, corner 2"	1
2		1232965	Assy, turbine 2" elbow	1
3		1040688	Assy, plug	1
*		1266722	Cable and turbine sensor, Logix Magnum it, 32"	1



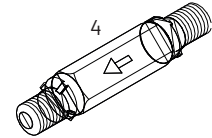
Switch Kit



Pilot Filter Screen Assembly



External Pilot Feed Adapter



Pilot System Check Valves

## Magnum miscellaneous

Item	Old part number	Reference	Description	Packing qty
1	1041049	3019468	Kit 1 switch 0.1 Amp (also used on 962M and 962S controls)	1
*	1041063	3019469	Kit 1 switch 5 Amp	1
*	1041048	3019467	Kit 3 switch 5 Amp	1
*	1041039	3019466	Kit 3 switch 0.1 Amp	1
		1239979	Cable harness for remote regeneration on 740F	1
2		1000226	Pilot screen assy includes pilot screen, pilot screen cap & O-ring	1
3		1040668	External pilot feed adapter (separate source pilot water)	1
4		1009817	Pilot system check valve (to be used w/ item 3)	1
		3019522	Kit switch 0.1 Amp w/breakaway cam	1

### Magnum 298 installation components

Item	Old part number	Reference	Description	Packing qty
A			<b>Drain line flow control (refer to DLFC list):</b>	
B	CC-D1219	1009115	Upper screen	1
C	CC052	3028330	Riser tube	1
D	CC-D7178-07	1036846	Lower distributor (for 14 and 16" vessels)	1
	CC-D7179-07	1037112	Lower distributor (for 18", 21" and 24" vessels)	1
	CC-D7180-07	1037120	Lower distributor (for 30" vessels)	1
E		18979	Aircheck tube 1/2" for SBV 2350, 1m88	1
F		25453	SBV 2350 - without air check	1
*	721913107	3030638	Adapter 3/4" - 25 mm ISO PVC	1

