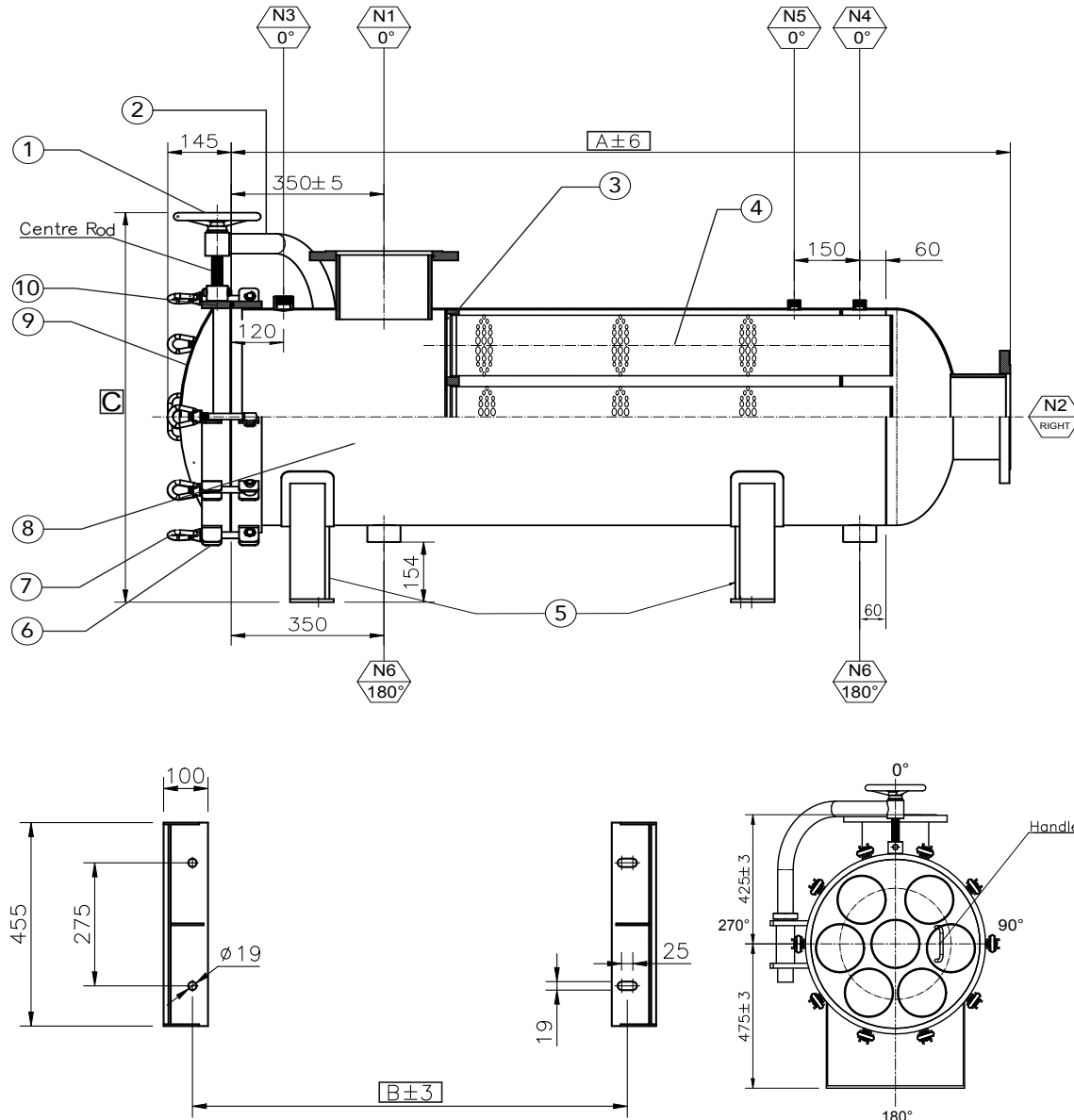


INOX PREMIER HIGH FLOW FILTER HOUSING

PFH-SGB-7HF-40-6F-GP-ML



| Overall Dimensions | | | |
|------------------------------------|------|------|------|
| To Accommodate Filter Qty x Length | A mm | B mm | C mm |
| 7 x 40" | 1785 | 980 | 998 |

| Port Details | | | | | |
|--------------|--------|------------------------|-----|------------|-------------|
| No. | Type | Size | No. | Type | Size |
| N1 | Inlet | DN150 PN16 (6" Flange) | N4 | Vent | 1/2" BSPT-F |
| N2 | Outlet | DN150 PN16 (6" Flange) | N5 | Gauge | 1/2" BSPT-F |
| N3 | Gauge | 1/2" BSPT-F | N6 | Drain (x2) | 2" BSPT-F |

| Components | | | | | |
|------------|----------------------------|----------|-----|----------------|------------------|
| No. | Name | Material | No. | Name | Material |
| 1 | Davit Wheel | 304 | 6 | Nut (x10) | SA351M CF8 Steel |
| 2 | Davit Arm | 304 | 7 | Eye Bolt (x10) | SA193 B7 Steel |
| 3 | Plate | 316L | 8 | Body | 316L |
| 4 | Filter Support Basket (x7) | 316L | 9 | Lid | 316L |
| 5 | Legs | 304 | 10 | O-Ring | BUNA-N |

| Technical Information | Maximum Operating Temperature | 120°C |
|-----------------------|-------------------------------|--------|
| | Design Pressure | 7 bar |
| | Hydrostatic Test Pressure | 10 bar |

- Bolt holes in nozzle flanges shall straddle major axis of the vessel
- Pressure relief device should be installed on the outer piping by the customer to assure that pressure in the vessel can not exceed the design pressure indicated
- All dimensions are approximate in mm