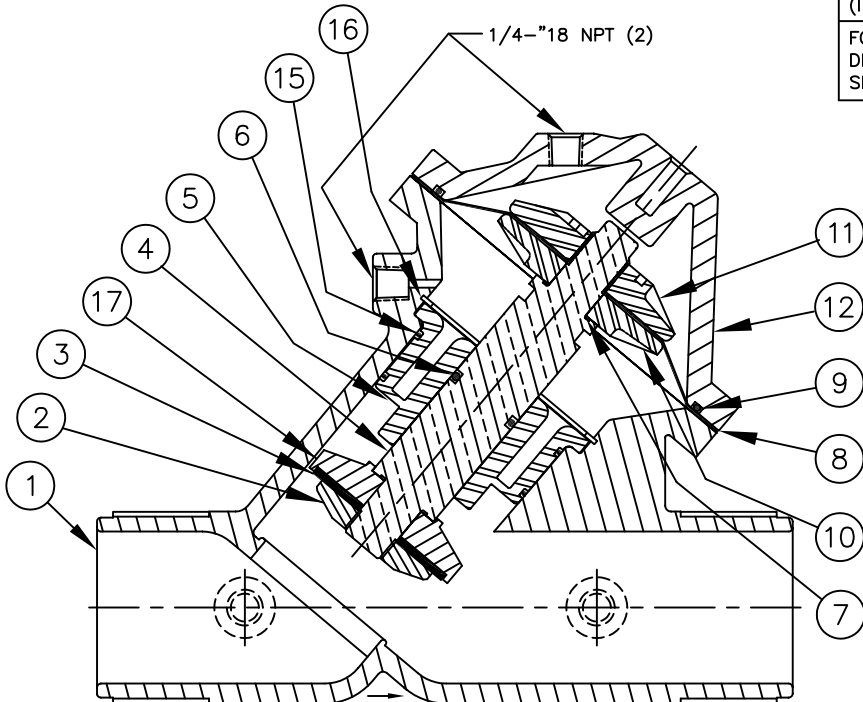


INCHES  
MILLIMETERS



1070180 (K526-X200-14000)

**NORMALLY OPEN (STANDARD)**

PRINTED IN U.S.A.

**REPAIR PARTS KITS**

DESCRIPTION	PART NO.	
DIAPHRAGM & SEALS KIT CONSISTS OF ITEM NO'S 3,6,7(2),8,9,15(2)	1070275 (526-RA)	1070283 (526-RAJ)
	E.P.D.M. INCLUDES DIAPHRAGM	BUTYL INCLUDES DIAPHRAGM
	1075177 (526-FB)	1075177 (526-FB)
INT. PARTS KIT (NORM. OPEN) CONSISTS OF ITEM NO'S 2,4,5,10,11,17	1070291 (526-RAV)	
	VITON INCLUDES DIAPHRAGM 1075177 (526-FB)	
	1070299 (K526-RF)	

**ASSEMBLY TOOLS**

DESCRIPTION	PART NO.
FOR INSTALLATION & REMOVAL OF SHAFT (ITEM #4) (TOOL NOT SHOWN)	1075060 (521-ZA)
FOR INSTALLATION & REMOVAL OF UPPER DIAPHRAGM PLATE (ITEM #11) (TOOL NOT SHOWN)	1075224 (526-Z)

NO.	DESCRIPTION	PART NO.	QTY.
1	BODY	1075162 (526-AK)	1
2	DISC PLATE	1075176 (526-EK)	1
3	DISC	E.P.D.M.	1075181 (526-J)
		BUTYL	1075182 (526-JJ)
		VITON	1075183 (526-JV)
4	SHAFT	PVC	1075169 (526-C)
		NORYL	1075172 (526-CN)
5	SHAFT GUIDE	1075178 (526-GK)	1
6	O-RING	E.P.D.M.	1071746 (ORE-214)
		BUTYL	1071778 (ORJ-214)
		VITON	1071817 (ORV-214)
7	O-RING	BUNA N	1071673 (ORB-018)
		VITON	1071790 (ORV-018)
8	DIAPHRAGM	BUNA N 1075177 (526-FB)	1
9	O-RING	BUNA N 1071713 (ORB-251)	1
10	LWR DIA. PLATE	1075174 (526-DK)	1
11	UPR DIA. PLATE	1075173 (526-DDK)	1
12	CAP	1075167 (526-BOK)	1
13	RD. HD. MACH. SCR.	1072382 (SCS-0098)	12
14	HEX NUT	1071648 (NUS-0006)	12
15	O-RING	ETH. PROP.	1071738 (ORE-148)
		BUTYL	1071773 (ORJ-148)
		VITON	1071810 (ORV-148)
16	RETAINING RING	1075180 (526-HA)	1
17	DISC HOLDER	PVC	1075197 (526-RP)
		NORYL	1075196 (526-RN)

SEE FORM 1078152 FOR SOCKET WELD ENDS AND  
FLANGED ADAPTORS

SEE REVERSE SIDE FOR CONFIGURATION OPTIONS

FORM NO. 1077656

D	NUMBER CONVERSION	1588	MSM	27NOV02
REV	DESCRIPTION	ECO	DWN	DATE APVD



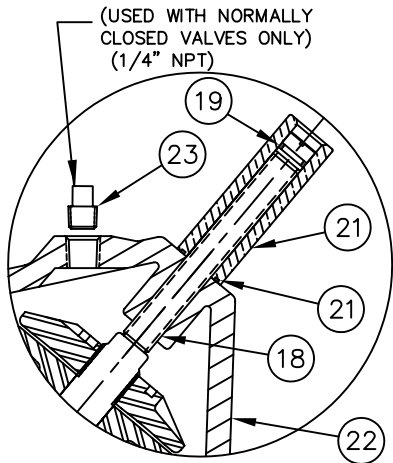
**OSMONICS**  
ROCKFORD OPERATIONS

2412 GRANT AVENUE, ROCKFORD, IL 61103-3991 (815) 964-9421  
WWW.OSMONICS.COM

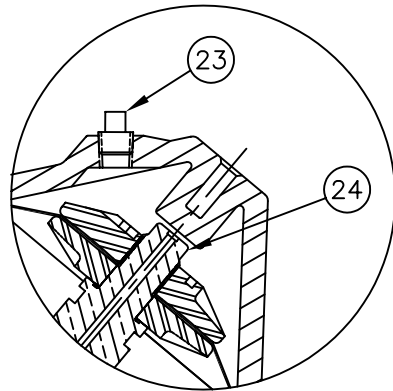
**SERIES 526 DIAPHRAGM VALVE  
STANDARD MODEL**

SCALE	DRAWN	DATE	DWG. NO.
N/A	JWB	24MAY01	1084005

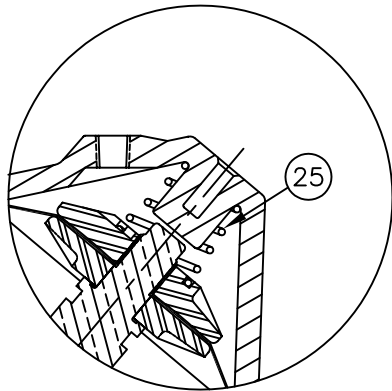
# K526 DIAPHRAGM VALVE - OPTIONAL MODELS



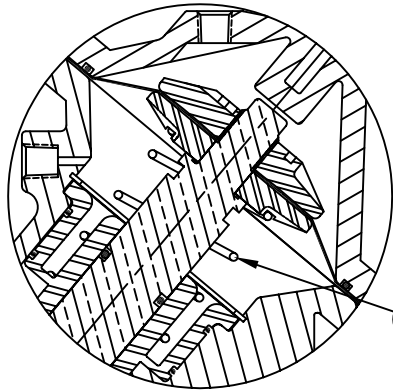
1070181 (K526-X210-14000)  
**LIMIT STOP**



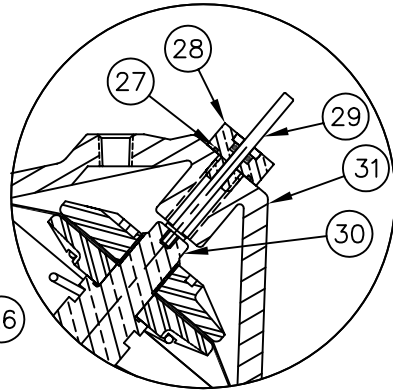
1071256 (K526-X230-14000)  
**NORMALLY CLOSED**



1071246 (K526-X202-14000)  
**SPRING ASSIST CLOSED**



1071242 (K526-X201-14000)  
**SPRING ASSIST OPEN**



1071255 (K526-X221-14000)  
**POSITION INDICATOR**

**NOTE:**

1. POSITION INDICATOR MODEL CANNOT BE COMBINED WITH NORMALLY CLOSED OR LIMIT STOP OPTIONS.
2. POSITION INDICATOR MODEL FURNISHED WITH SPRING ASSIST OPEN OPTION.

SEE FORM 1078152 FOR SOCKET WELD ENDS AND FLANGED ADAPTORS


NO.	DESCRIPTION	PART NO.	QTY.
<b>LIMIT STOP MODEL</b>			
18	ADJUSTING SCREW	1075223 (526-Y)	1
19	O-RING BUNA N	1071668 (ORB-012)	1
20	LIMIT STOP HOUSING	1075222 (526-X)	1
21	O-RING BUNA N	1071671 (ORB-016)	1
22	CAP	1075165 (526-BBOK)	1
<b>NORMALLY CLOSED MODEL</b>			
23	PIPE PLUG (1/4" NPT)	1071913 (PLP-0010)	1
24	SHAFT (N.C.)	1075170 (526-CC)	1
<b>SPRING ASSIST CLOSED MODEL</b>			
25	SPRING (ASSIST CLOSED)	1075202 (526-SS)	1
<b>SPRING ASSIST OPEN MODEL</b>			
26	SPRING (ASSIST OPEN)	1075198 (526-S)	1
<b>POSITION INDICATOR MODEL</b>			
27	O-RING BUNA N	1071671 (ORB-016)	1
28	GUIDE HOUSING ASSY	1075038 (521-KB)	1
29	INDICATOR SHAFT	1075184 (526-KD)	1
30	SHAFT	1075171 (526-CD)	1
31	CAP	1075165 (526-BBOK)	1

<b>REPAIR PARTS KITS</b>	
DESCRIPTION	PART NO.
INT. PARTS KIT (LIMIT STOP) CONSISTS OF ITEM NO'S 18 THRU 21	1075191 (526-LS)
INT. PARTS KIT (NORM. CLOSED) CONSISTS OF ITEM NO'S 2,5,10,11,24	1071226 (K526-RG)
INT. PARTS KIT (SPRING ASSIST CLOSED) CONSISTS OF ITEM NO. 25	1075200 (526-SC)
INT. PARTS KIT (SPRING ASSIST OPEN) CONSISTS OF ITEM NO. 26	1071227 (K526-SO)
INT. PARTS KIT (POSITION INDICATOR) CONSISTS OF ITEM NO'S 27 THRU 30	1081804 (526-PI)

<b>CONVERSION KITS</b>	
DESCRIPTION	PART NO.
CONVERSION KIT (LIMIT STOP) CONSISTS OF ITEM NO'S 18 THRU 22	1071225 (K526-LSC)
CONVERSION KIT (SPRING ASSIST CLOSED) CONSISTS OF ITEM NO. 27	1075200 (526-SC)
CONVERSION KIT (SPRING ASSIST OPEN) CONSISTS OF ITEM NO. 28	1071227 (K526-SO)
CONVERSION KIT (POSITION INDICATOR) CONSISTS OF ITEM NO'S 27 THRU 31	1079674 (K526-PIC)

SEE REVERSE SIDE FOR STANDARD NORMALLY OPEN MODEL

FORM NO. 1077656

D	NUMBER	CONVERSION	1588	MSM	27NOV02
REV	DESCRIPTION	ECO	DWN	DATE	APV
 <b>OSMONICS</b> ROCKFORD OPERATIONS 2412 GRANT AVENUE, ROCKFORD, ILL. 61103-3991 (815) 964-9421 WWW.OSMONICS.COM					
<b>SERIES 526 DIAPHRAGM VALVE</b>					
<b>OPTIONAL MODELS</b>					
SCALE	N/A	DRAWN	JWB	DATE	24MAY01
				DWG. NO.	1084005