



UV 550 LCD² Technical Data

GENERAL INFORMATION	
Max flow rate	100 l/m
UVC transmittance	99%- 1 cm
UVC dose	400 J/m ²
Water Temperature range	5-50° C
Total consumption	88 W
Mounting	Vertical

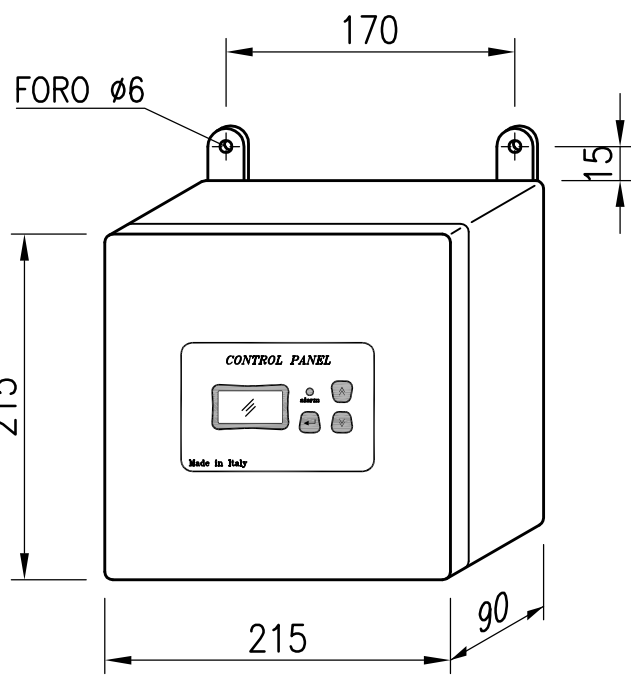
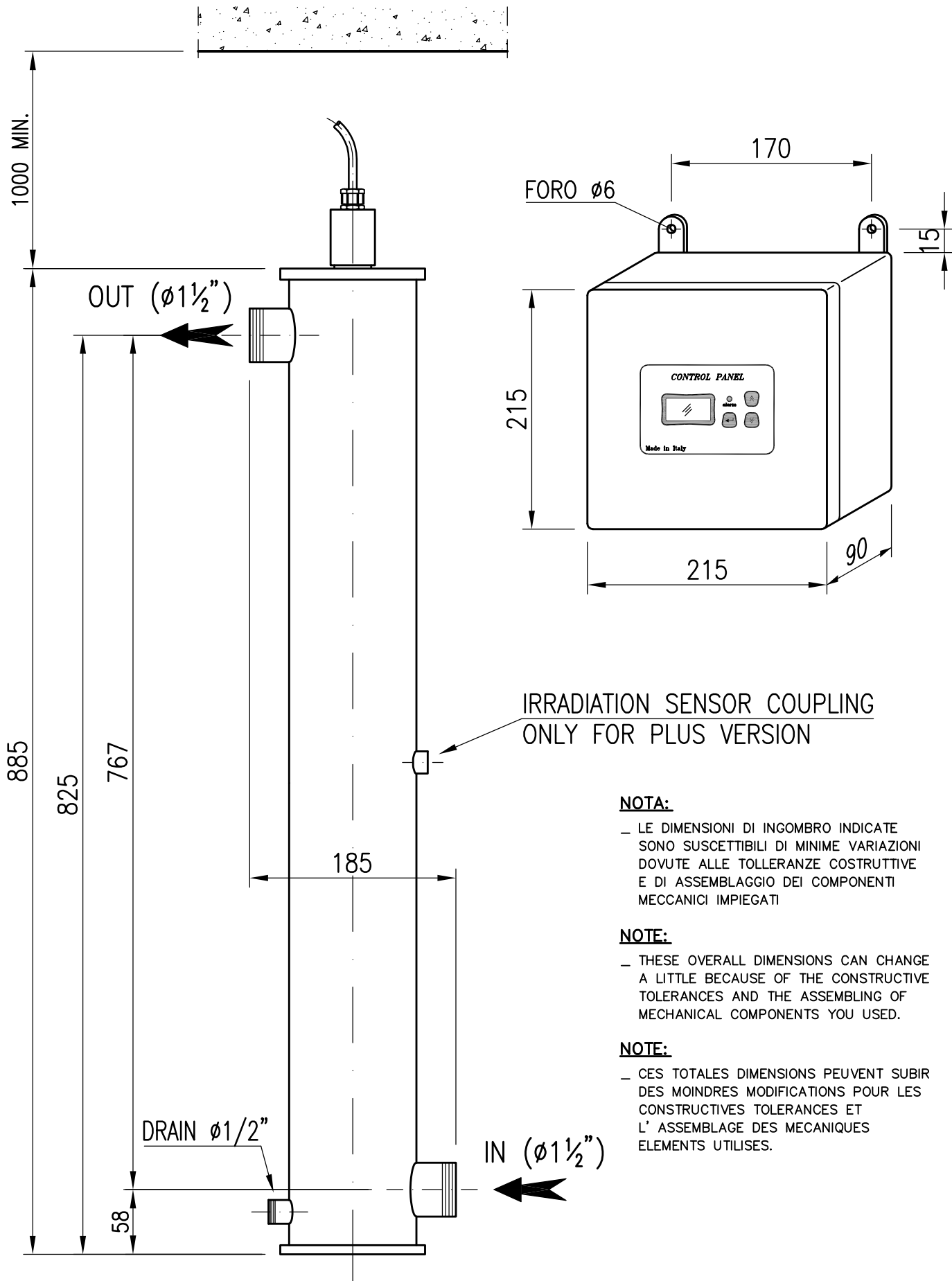
UV REACTOR	
Material	Stainless Steel 304 (optional 316L)
Connections	Thread 1 ½" M
Drain/Air Valve	1/8" ½" M thread
Total Volume	7,6 l
Total weight	8 kg
Max working pressure	10 bars g
Protection class	IP 54
Shape	Z
Flow direction	From bottom to top

UV LAMP	
Number	2
Lifespan	9000 hr
Lamp power	40 W
Type	Low pressure type 028104

UV SENSOR (ONLY on PLUS MODELS)	
Type	UVC selective sensor Mod. UV737
Sensor Cable	Shielded cable 4 meters
Sensor holder material	Stainless steel 316L

CONTROL PANEL	LCD (PLUS)
Material and colour	Black Polypropylene
Dimensions	215 x 215 x 90 mm
Protection class	IP 55 (IP 65 on request)
Ambient temperature range	5 – 45 °C
Power supply	230 V - 50/60 Hz (115V – 50/60 Hz on request)
Lamp cable	1 m
Power supply cable	1 m
Monitor display	LCD SITA
Hour meter	Yes for total system life
Resettable hour meter	Yes for lamp life control
Lamp function control	Yes
Alarm led	Yes
Free contact (NO - NC)	Yes – general alarm (max 2 A)
230 V output (NO - NC)	Yes – general alarm (max 2 A)
Remote ON/OFF contact	Yes (settable)
ON/OFF Timer	Yes (settable)
Reactor temperature measurement and alarm	Yes (°C) – settable value (shut off for high temperature) on PLUS MODELS
UV Irradiance measurement and alarm	Yes (% or W/m ² optional) – settable value on PLUS MODELS
4/20 mA output	Optional – for Irradiance and water temperature on PLUS MODELS
Audio alarm	Optional

Rev. 09-2014



IRRADIATION SENSOR COUPLING
ONLY FOR PLUS VERSION

NOTE:

– LE DIMENSIONI DI INGOMBRO INDICATE SONO SUSCETTIBILI DI MINIME VARIAZIONI DOVUTE ALLE TOLLERANZE COSTRUTTIVE E DI ASSEMBLAGGIO DEI COMPONENTI MECCANICI IMPIEGATI

NOTE:

– THESE OVERALL DIMENSIONS CAN CHANGE A LITTLE BECAUSE OF THE CONSTRUCTIVE TOLERANCES AND THE ASSEMBLING OF MECHANICAL COMPONENTS YOU USED.

NOTE:

– CES TOTALES DIMENSIONS PEUVENT SUBIR DES MOINDRES MODIFICATIONS POUR LES CONSTRUCTIVES TOLERANCES ET L'ASSEMBLAGE DES MECANIKES ELEMENTS UTILISES.

					CODICE LCD3021 _DEBATT. UV 550 LCD - 304 LCD3022 _DEBATT. UV 550 LCD PLUS - 304 LCD3023 _DEBATT. UV 550 LCD - 316 LCD3024 _DEBATT. UV 550 LCD PLUS - 316
A	PRIMA EMISSIONE	30/10/14	SCHENONE	MAZZONE	
REVISIONE	DESCRIZIONE	DATA	DISEGNATO	VERIFICATO	

TITOLO
DISINFEZIONE UV-C SERIE 40
Modello 550 LCD



S.r.l. Società Italiana Trattamento Acque

Via Rivarolo, 61 - 16161 Genova Italy - Tel. 0039-10-7406848 / Fax 0039-10-7406851 email info@sitaouv.com

Disegnato	UFFICIO TECNICO	Foglio	01
Data	30/10/14	Segue	/
Scala	/	Totale Fg.	01